

DS-PM-RS04-H DS-PM-RS08-H

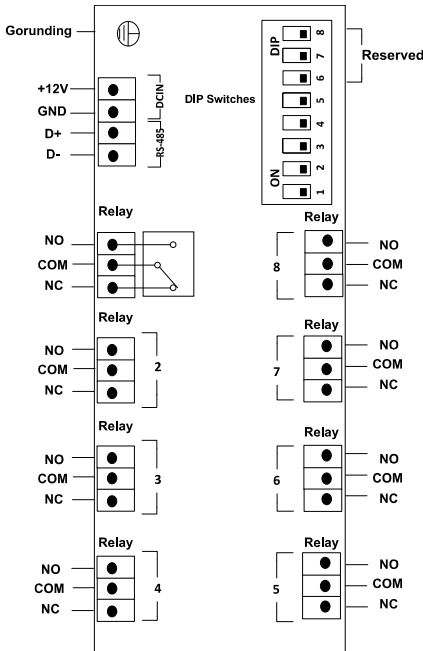
RS485 4 / 8 Outputs Expander

Product Overview

The RS485 Output Expander provides 4 / 8 relays with Form C (normally open and normally closed) contacts that are connected to the Security Control Panel via the control's RS-485 bus wiring. The device address of the relay module can be set by DIP switches for RS-485 communications.



Physical Interfaces



Order Models

DS-PM-RS04-H	RS485 4 Outputs Expander
DS-PM-RS08-H	RS485 8 Outputs Expander

Specifications

Electrical	
Power Consumption	2W@12V _{DC}
Environmental	
Temperature (Operating)	-10°C to +55°C
Relative Humidity	10% to 90%
Relay Output	
Contact Rating	220V _{AC} @10A
Insulation resistance	1000MΩ@500V _{DC}

Caution

- Power off the control panel and set the DIP switches in the expander before installing.
- Do not set several expanders as a same address, or it may cause communication faults.
- The available device address ranges from 0 to 31.
- Power on the expander before powering on the control panel.
- The designated earth ground terminal must be terminated in a good earth ground.