

## DS-K1T8003MF Fingerprint Access Control Terminal



- 2.4-inch LCD Display Fingerprint Access Control Terminal, Built-in Mifare card reading module
- Communication: TCP/IP, ISUP5.0; 1000 users, 1000 fingerprints, 1000 card and Max. 100,000 event records
- Support Access Control and Time Attendance Function, Optical Fingerprint Module
- Remotely opens door via Hik-Connect mobile client; Tamper alarm.

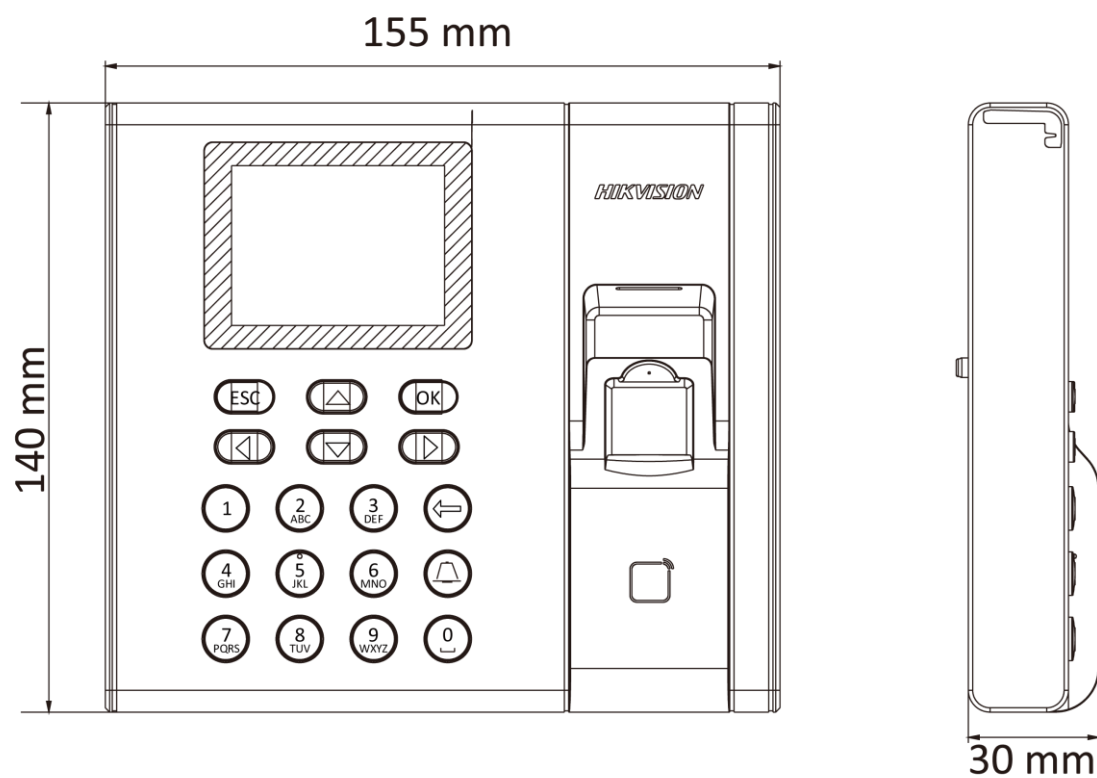
## ▪ Specification

| <b>Display</b>                   |   |
|----------------------------------|---|
| Screen size                      | 2.4-inch  |
| Type                             | LCD-TFT display screen  |
| <b>Audio</b>                     |   |
| Audio output                     | 1 loudspeaker, 1 buzzer   |
| <b>Network</b>                   |   |
| Wired network                    | TCP/IP, 10/100Mbps, self-adaptive   |
| Communication protocol           | TCP/IP, ISUP  |
| <b>Interface</b>                 |   |
| Network interface                | 1   |
| Lock control                     | 1   |
| Exit button                      | 1   |
| Door contact input               | 1   |
| TAMPER                           | 1   |
| USB                              | 1   |
| <b>Capacity</b>                  |   |
| Card capacity                    | 1000  |
| Fingerprint capacity             | 1000  |
| Event capacity                   | 100,000   |
| <b>Authentication</b>            |   |
| Card type                        | Mifare 1 card   |
| Card reading distance            | 0 to 5 cm   |
| Fingerprint module               | Optical fingerprint module  |
| Fingerprint comparing mode       | 1:1 and 1:N   |
| Fingerprint recognition duration | < 1 s   |
| <b>General</b>                   |   |
| Power supply                     | 12 VDC/1 A  |
| Working temperature              | -10 °C to +55 °C (14 °F to +131 °F)   |
| Working humidity                 | 10% to 90% (no condensing)  |
| Color                            | Silver  |
| Dimensions                       | 140 mm × 155 mm × 30 mm (5.51" × 6.01" × 1.18")                                       |
| Self Service Reports (SSR)       | Stand-alone operation, calculate attendance data and export reports via USB interface |
| Installation                     | Wall mounting   |
| Weight                           | Gross weight: 0.78 kg (1.72 lbs)<br>Net weight: 0.22 kg (0.48 lbs)                    |

## ▪ Available Model

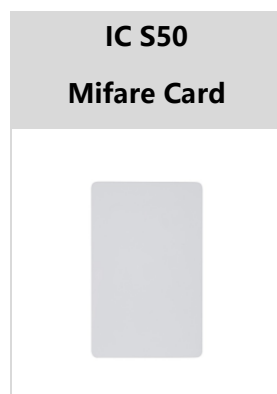
DS-K1T8003MF

▪ **Dimension**



▪ **Accessory**

▪ **Optional**



**Headquarters**

No.555 Qianmo Road, Binjiang District,  
Hangzhou 310051, China  
T +86-571-8807-5998  
www.hikvision.com



Follow us on social media to get the latest product and solution information.

